



CURB-STOPTM

PATENT PENDING

Mechanical In-Line Valve



MAIN FEATURES OF CURB-STOP

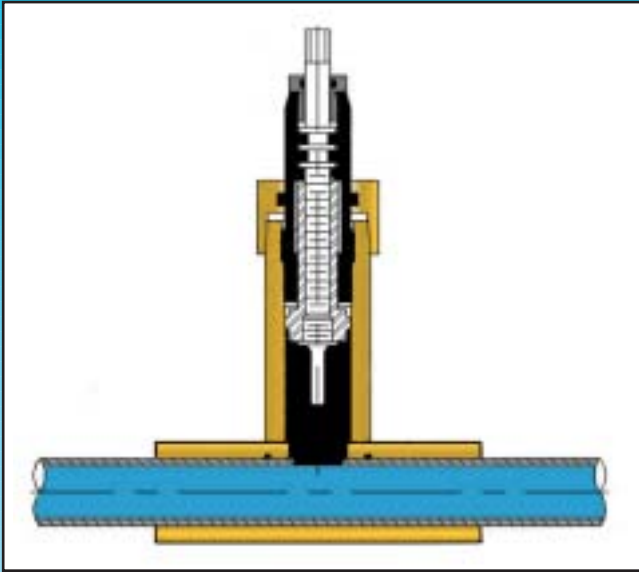
- Permanent • Uses standard tapping equipment • Emergency installation •
- Ease of servicing in the field • Keyhole installation • Easy to install •
- Makes pipe freezing obsolete • Security feature • Easily installed in under twenty minutes •
- Perfect repair tool •



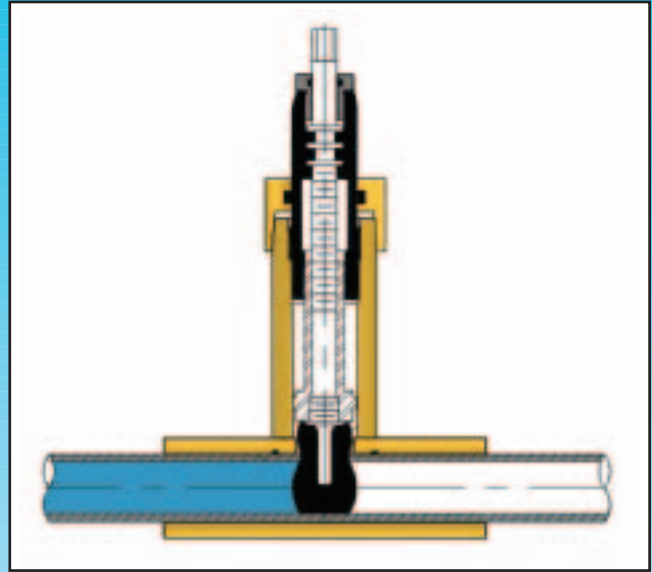
ADVANCED VALVE TECHNOLOGIES, LLC.

12601 South Homan Avenue / Blue Island, IL 60406 / Phone: 800.991.7054 or 616.791.7054 / Web site: www.avtfittings.com

OPEN POSITION



CLOSED POSITION



Advanced Valve Technologies (AVT) introduces the new Curb-Stop (Patent Pending) mechanical in-line stopper system for use on water, gas and mechanical/industrial applications, for use on steel, copper type K and L services. The Curb-Stop consists of a rubber coating gate, internal feed screw and bolt on fitting allowing for quick and simple installation. The Curb-Stop is easily installed in all piping applications in a matter of minutes. The Curb-Stop works well in buildings, out in the field, keyhole installations, process piping, emergencies and more, making Curb-Stop the perfect all round tool for professionals.

- Newest innovation for pipe repairs, makes traditional methods obsolete!
- Install in under 20 minutes.
- Make permanent repairs to piping in less then 20 minutes.
- Perfect repair too for emergencies, maintenance, water, process piping, gas, oil, air, etc..
- Much less expensive then freezing!

Material Specifications: 12 L 14 carbon steel
Stainless Steel 303
EPDM (Water) & Neoprene (Gas) Rubber

Range: 3/4" - 1" - 1 1/4" -
1 1/2" - 2"
Larger sizes coming soon!

Pressure Rating: 60 PSI Gas Ambient
300 PSI Water Ambient
Higher pressure/temperature available upon demand

OD Range: Same size fitting for Carbon Steel, Copper K & L

Tested: Tested to ASME B16.33 specifications at 90 P.S.I. for gas by an independent laboratory (reports upon request). Tested to 450 P.S.I. by AVT for use on water systems.



ADVANCED VALVE TECHNOLOGIES, LLC.

12601 South Homan Avenue / Blue Island, IL 60406 / Phone: 800.991.7054 or 616.791.7054 / Web site: www.avtfittings.com